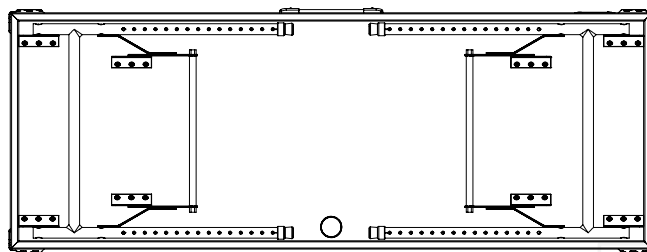
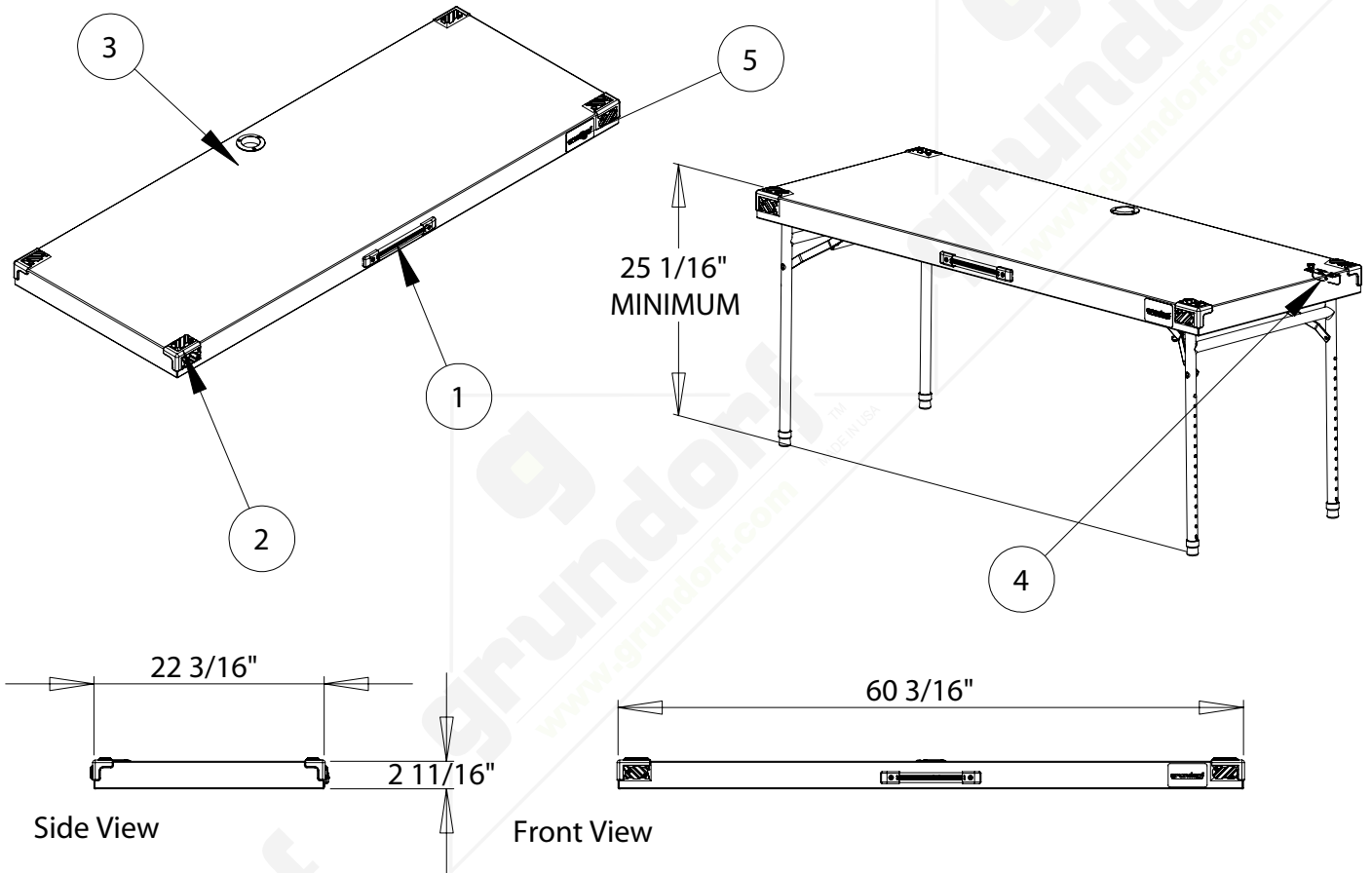


#	Qty	PART NUMBER	DESCRIPTION
1	1	31-017	HANDLE - STRAP W/LOGO/NICKEL E
2	4	32-002	CORNER - LARGE BLACK PLASTIC STACKING
3	1	39-002	PORT HOLE - 2" PLASTIC/W LIP/B
4	2	43-002	TABLE LEG - ADJUSTABLE STYLE
5	1	83-010	BADGE - PRO SERIES



Bottom View